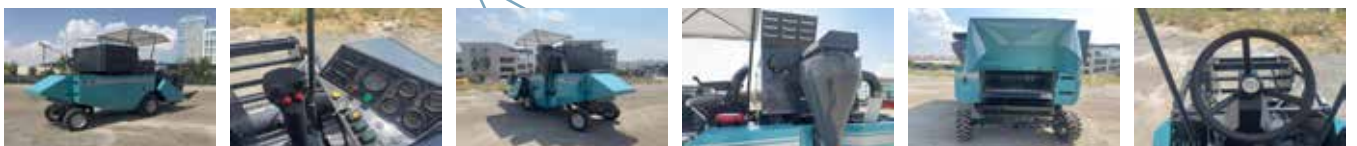
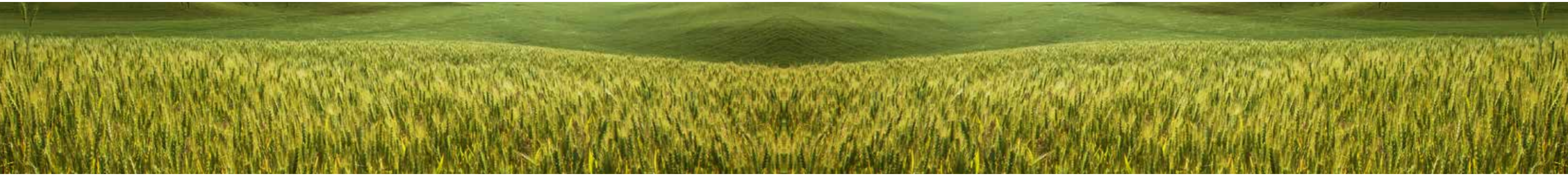


MONO

PLOT COMBINE HARVESTER **MNB-80**

MONO





The importance of food safety and supply is increasing every passing day. Seed Improvement works are the foremost in important elements for supplying more quality and cheaper foods to its own people by efficient use of Nation's lands.

MONO MAKİNE has started production of Improvement tools and equipment for development of domestic seeds without being dependent on foreign sources. Our company, operating at Ostim/ANKARA, has made huge progress in its subject area since the day it was founded and filled a large gap in the industry.

MONO MAKİNE continues to manufacture improvement tools and equipment in accordance with the recommendations and suggestions of people working in the field. Presents the state of the art possibilities with an innovative outlook by research to meet the needs of the industry. Planting Machinery, Threshing Machinery and Laboratory Machinery used in the seed improvement are MONO MAKİNE continues its R&D activities and manufactures manufactured completely by our company.

Tools and equipment in accordance with the requests of customers. Lowering the foreign dependence in the industry and ensuring the capital stays within borders is our most important value. Our aim is to become a worldwide recognized and industry-leading and followed manufacturer

MONO MAKİNA İTH. İHR. TİC. SAN. LTD. ŞTİ.

İvedik OSB Mahallesi 2265 Cadde No:30-32
Yenimahalle / ANKARA
☎ : +90 312 386 26 12
☎ : +90 312 386 26 13
🌐 : www.monomakine.com
✉ : info@monomakine.com
📺 : www.youtube.com/user/monomakine1
📘 : monomakine1



MNB-80

PLOT COMBINE HARVESTER

The Most Accurate Solution for Precision Plot Harvesting Specially engineered for seed breeding, research fields, and trial plots, the Plot Combine Harvester delivers high-precision performance with reliable and repeatable results. From F3 generations to advanced experimental blocks, it adapts seamlessly to all working conditions.

The modern operator platform provides higher comfort.

- Longer service intervals reduce downtime.
- Delivers strong threshing performance and clean samples.
- Can be used for many different crops.
- High maneuverability in tight areas.
- Works very well at low cutting heights.
- Various header options available
- Pneumatic seed transport prevents mixing.



Optimized for Research Applications

- Effective harvesting in small areas
- User-friendly control interface
- High accuracy rate
- Low maintenance requirements

Modular and Flexible Designs

Modular architecture allows quick adaptation to various crop types and field conditions. Easily removable and replaceable modules ensure efficient operation tailored to user requirements

Compact – Lightweight – Easy to Transport

Its low weight and compact dimensions provide excellent maneuverability in the field. Transporting or towing the machine is fast, safe, and practical.

Designed for Professional Seed Breeding

The ideal solution for seed companies, universities, R&D departments, and agricultural research institutes. Its cutting, sampling, and crop collection systems meet the strict standards required for scientific studies.

Clean and Continuous Harvesting

- Minimal grain loss
 - High sample cleanliness
 - Uniform and repeatable sample output
- The precision required for scientific research projects is built into the machine as a standard feature



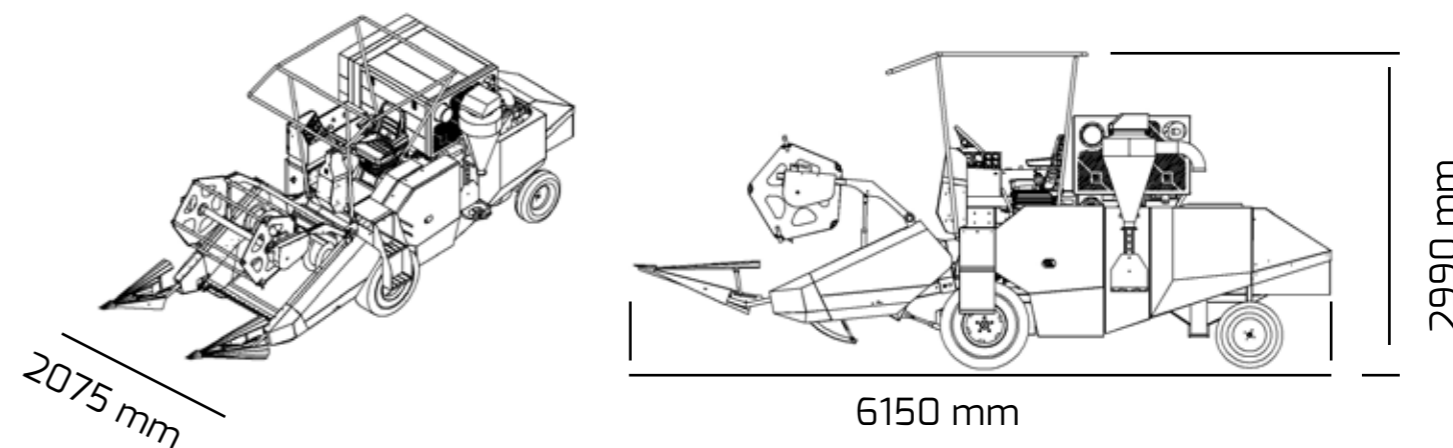
TECHNICAL SPECIFICATIONS (MNB-80)

POWER TRAIN	Engine	Model & Power	Yanmar 70 Hp Water Cooler Diesel Motor
	Fuel System	Fuel Tank Capacity	55 Lt
	Transmission	Speed	Hydrostatic (0- 16 Km/h)
HARVESTING & THRESHING	Basic Features	Beater Diameter	350 mm
		Threshing Width	790 mm
		Threshing Area	0.35 m ²
	Adjustments	Thresher Rpm	350 Rpm - 2200 Rpm Adjustable
		Beater Threshing Bar Count	6
	Concave	Concave Bar Piece	7
		Concave Wire Gap	6 -10 mm
		Concave Angle	117 °
Concave Wire Diameter		4 mm	
CUTTING TABLE	Dimensions	Cutting Table Width	1250 mm
	Controls	Cutting Table Height Control	Hydraulic
		Reel Height Control	Hydraulic
	Reel	Reel Rpm	0-50 Rpm Adjustable
		Reel Bar Piece	4-5
CLEANING SYSTEM	Sieves	Upper Sieve Area	1.44 M ²
		Lower Sieve Area	0.70 M ²
		Lower Sieve Hole Dia	4-6-8-12-16-20-24-28 mm Small Adj. Sieve 4-20 mm Large Adj. Sieve 16-30 mm
	Fan	Cleaning Fan Rpm	300 - 3100 Rpm Hydraulic Adjustable
GRAIN HANDLING	Storage	Packing System	Pneumatic
GRAIN TANK	Storage	Hydraulic discharge Manual Open - Close	510 l

DIMENSIONS



WEIGHT: 2650-3200 kg.



Plot Combine Harvester

MONO

İvedik OSB Mahallesi 2265 Cadde No:30-32
Yenimahalle / ANKARA

☎ : +90 312 386 26 12

☎ : +90 312 386 26 13

🌐 : www.monomakine.com

✉ : info@monomakine.com

YouTube : www.youtube.com/user/monomakine1

facebook : [monomakine1](https://www.facebook.com/monomakine1)

